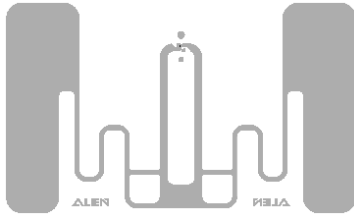




ALN-9828-W

“GT-W” GARMENT TAG INLAY (HIGGS™-EC)

Built for superior performance in high-volume Retail, the Alien Technology® ALN-9828-W GT-W is an Auburn™ certified 30x50 inlay ready for your business.



Applications

- Retail/Apparel
- Labels
- Hang-tags
- Joker-tags

FEATURE	DESCRIPTION	BENEFIT
30mm x 50mm form-factor tuned for dense packed retail shelves or hanging garments	Designed to fit everyday densely packed retail item use cases on shelving and hangars	Reliable read rates in real-life, every day retail environments
Auburn™ retail category Compliance	Meets Auburn W1, W2, W3, W5, A, B, C, D, G, M, N, Q Retail categories	Ensures consistent performance for all retail-type use-cases
Reliable read / write performance with Sentinel™ memory	Bit error correction, improved read/write sensitivity, robust memory retention and 200,000 write cycles (2X that of competition)	Robust reliability of stored data & added protection against data loss/corruption

Features:

- › Worldwide operation in all RFID UHF bands (860-960 MHz)
- › Global GS1 Class 1 Gen 2 (V1.2.0) and ISO/IEC 18000-6C compliance
- › Class leading read and write performance
- › 512 bits of NVRAM Memory
 - Up to 128 EPC bits (96-bits nominal)
 - 128 User bits
 - 48 bit Unique TID
 - 32 bit Access and 32 bit Kill passwords
- › User Memory may be Block Perma-Locked as well as read password protected in 32 bit blocks
- › Low power operation for both read and write
- › *BlastWrite™* and *QuickWrite™* mass-encoding
- › Dynamic Authentication™ - anti-cloning/anti-counterfeit technology
- › Available in high-yield, high capacity dry/wet inlay rolls

Product Overview:

Ready for high-volume retail shelving and hangars, the 30x50mm **Higgs™-EC UHF RFID IC** based “GT-W” **antenna design** offers Auburn W-category approved performance for the highest volume enterprise, retail and general purpose applications.

Applications include (but not limited to):

- Apparel / Retail labeling
- General enterprise asset management
- Supply chain management
- Applications requiring robust readability in smaller size

Enhanced memory footprint includes **a 48-bit Unique TID for authentication** and **serialization** applications and **password protected read and write** support to prevent unauthorized viewing and modification of the tag’s data.

ALN-9828-W inlays are World Tag compliant, enabling consistent operation across the diverse frequencies of the Americas, Europe, Middle East, Asia, and Africa.

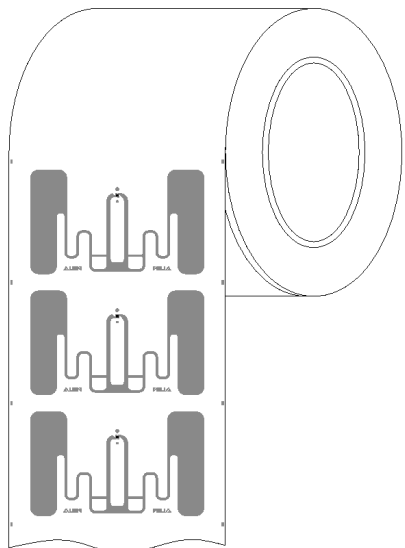




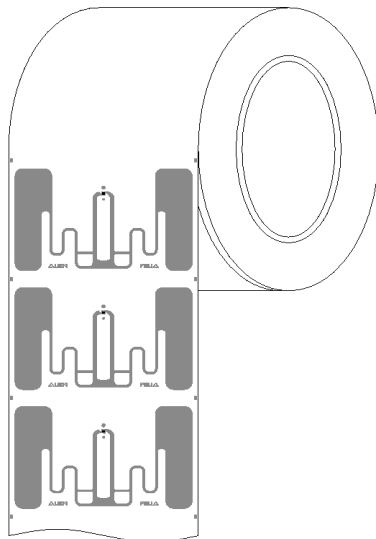
ALN-9828-W "GT-W" Inlay

All dimensions in millimeters unless otherwise specified

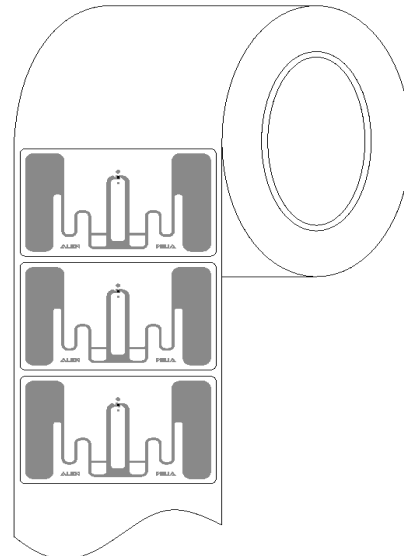
ALN-9828-W Inlay



ALN-9828-W-R
(Dry Unslit Roll)



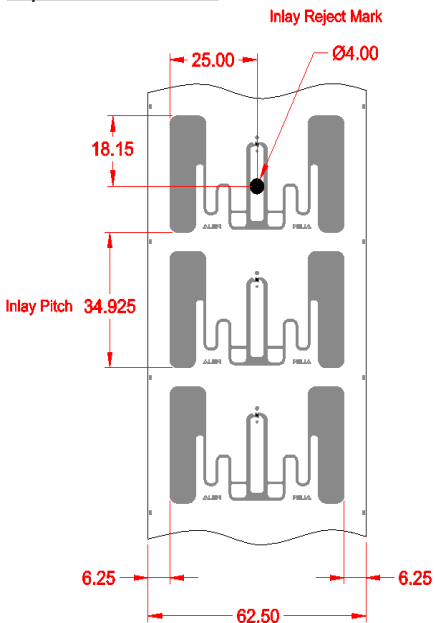
ALN-9828-W-SR
(Dry Slit Roll)



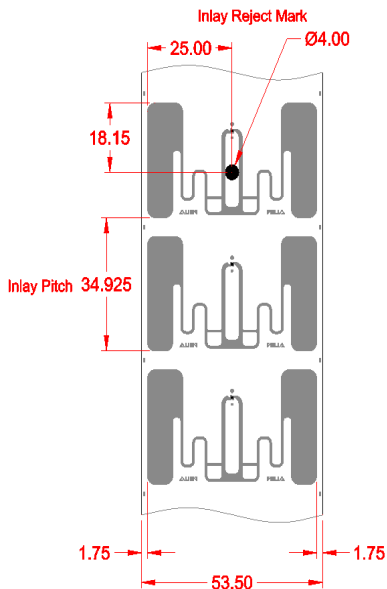
ALN-9828-W-WRW / -WRC
(White / Clear Wet Inlay)

Standard Alien Inlay rolls unwind with metal antenna side facing outward, with respect to the core.

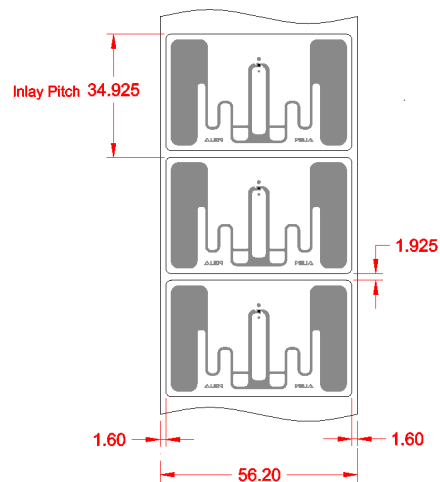
ALN-9828-W Inlay Specification



ALN-9828-W-R
(Dry Unslit Roll)



ALN-9828-W-SR
(Dry Slit Roll)

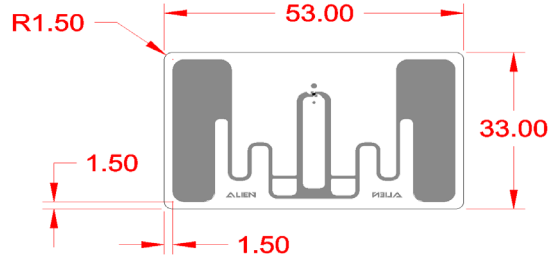
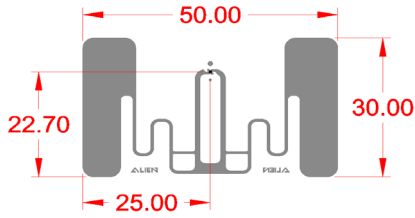


ALN-9828-W-WRW / -WRC
(White / Clear Wet Inlay)





ALN-9828-W General Dimensions

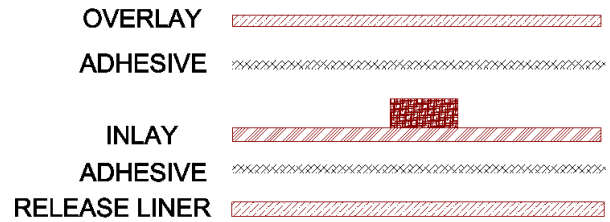


ALN-9828-W Inlay Stackup

DRY INLAY THICKNESS ±10%	
Over Antenna	0.06mm
Over Chip	0.24mm

WHITE WET INLAY THICKNESS ±10%	
Over Antenna	0.16mm
Over Chip	0.32mm

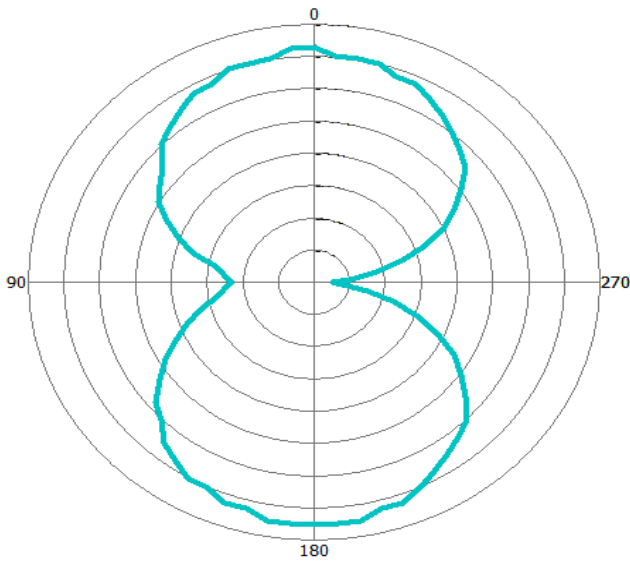
CLEAR WET INLAY THICKNESS ±10%	
Over Antenna	0.08mm
Over Chip	0.24mm



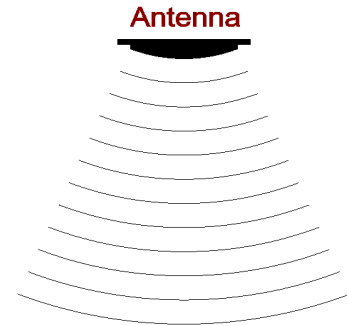
ALN-9828-W-R
(Dry Unslit Inlay)

ALN-9828-W-WRW / -WRC
(White / ClearWet Inlay)

ALN-9828-W Inlay Angular Sensitivity



Angular Sensitivity
(Relative Read Range vs. Orientation)



Angular Sensitivity
Inlay is rotated in the x, y, plane about the z axis

ALN-9828-W Specifications

Dry Inlay

Antenna Width	1.970" [50mm]
Antenna Length	1.180" [30mm]
Web Width (-R)	2.460" [62.50mm]
Web Width (-SR)	2.110" [53.50mm]
Web Pitch	1.375" [34.92mm]
Core Width (-R)	2.460" [62.50mm]
Core Width (-SR)	2.110" [53.50mm]
Core ID	6" [152.4mm]*
Core Material	Fiberboard
Inlays per Roll (-SR)	30,000 nominal
Inlays per Roll (-R)	12,500 nominal
Maximum Roll OD	< 16" [406.4mm]

Wet Inlay

Inlay Width	2.090" [53.0mm]
Inlay Length	1.300" [33.0mm]
Web Width	2.210" [56.2mm]
Web Pitch	1.375" [34.92mm]
Core Width	2.210" [56.2mm]
Core ID	6" [152.4mm]*
Core Material	Fiberboard
Inlays per Roll	12,500 Nominal
Maximum Roll OD	< 16" [406.4mm]
Roll Labeling Data	Roll #, Quantity
White (-WRW)	TT Printable White Film Only
Clear (-WRC)	PET base without Overlay
Overlay Adhesive	General Purpose Permanent
Inlay Adhesive	General Purpose Permanent
Adhesive Application Temperature	> +25°F [-4°C]
Adhesive Service Temperature	-40°F to +200°F [-40°C to +93.3°C]
Release Liner	40# SCK

* Shipped with 6" to 3" plastic core adapter

July 8, 2020

Copyright© 2020 Alien Technology LLC. All rights reserved.

Alien, Alien Technology, the Alien Technology logo, GT-L, GT-L logo, Higgs, Dynamic Authentication, QuickWrite and BlockWrite are trademarks or registered trademarks of Alien Technology Corporation in the U.S. and other countries.

HANDLING PRECAUTIONS Observe standard handling practices to minimize ESD.

DISCLAIMER Application recommendations are guidelines only - actual results may vary and should be confirmed. This is a general purpose product not designed or intended for any specific application.

This product is covered by one or more of the following U.S. patents: 7967204, 7931063, 7868766, 7737825, 7716208, 7716160, 7688206, 7659822, 7619531, 7615479, 7598867, 7580378, 7576656, 7562083, 7561221, 7559486, 7559181, 7554451, 7551141, 7542301, 7542008, 7531218, 7522055, 7500610, 7489248, 7453705, 7425467, 7417306, 7411503, 7385284, 7377445, 7364084, 7353598, 7342490, 7324061, 7321159, 7301458, 7295114, 7288432, 7265975, 7262688, 7260882, 7253735, 7244326, 7218527, 7214569, 7199527, 7193504, 7173528, 7172910, 7172789, 7141176, 7113250, 7101502, 7080444, 7070851, 7068224, 7046328, 6998644, 6988667, 6985361, 6980184, 6970219, 6952187, 6942155, 6933848, 6927089, 6816380, 6780096, 6731353, 6693384, 6683663, 6665044, 6657289, 6623579, 6606247, 6606079, 6590346, 6586338, 6566744, 6555408, 6527964, 6479395, 6468638, 6420266, 6316278, 6291896, 6281038. Other patents pending.

This product is licensed under patents of Round Rock Research, LLC, for use solely with UHF RFID Readers (such as Alien reader products) that are licensed under an agreement with Round Rock Research, LLC.

Environmental

Shelf Life	Dry Inlays: 5 years at +77°F [+25°C] @ 40% RH Wet Inlays: 2 years at +77°F [+25°C] @ 40% RH
Recommended Storage	+77°F [+25°C] @ 40% RH
Storage Limits	-13°F to 122°F [-25°C to +50°C] 20% to 90% RH Non-condensing
Operating Limits	-40°F to +158°F [-40°C to +70°C] 20% to 90% RH Non-condensing
Bend Diameter	> 1.97" [50mm]
Pressure	< 5N/mm ²
Drop Resistance	Per ASTM D5276
Write Cycles	200,000 @ 25°C
RoHs	2002/95/EC (RoHS 1), 2011/65/ EU (RoHS 2), 2015/863 (RoHS 10)
REACH	EU 143/2011, EU 125/2012, Annex XIV of EC no. 1907/2006
ESD Limit- HBM / CDM	5.0kV / 1.5kV

RFID

Protocols Supported	ISO/IEC 18000-6C GS1 Class 1 Gen 2
Integrated Circuit	Alien Higgs™-EC
Operating Frequency	840–960 MHz
EPC Size	128 Bits
User Memory	128 Bits
TID	32 Bits
Unique TID	48 Bits
Access Password	32 Bits
Kill Password	32 Bits

